

Length

1 kilometre = 1000 metres

1 metre = 100 centimetres

1 centimetre = 10 millimetres



km

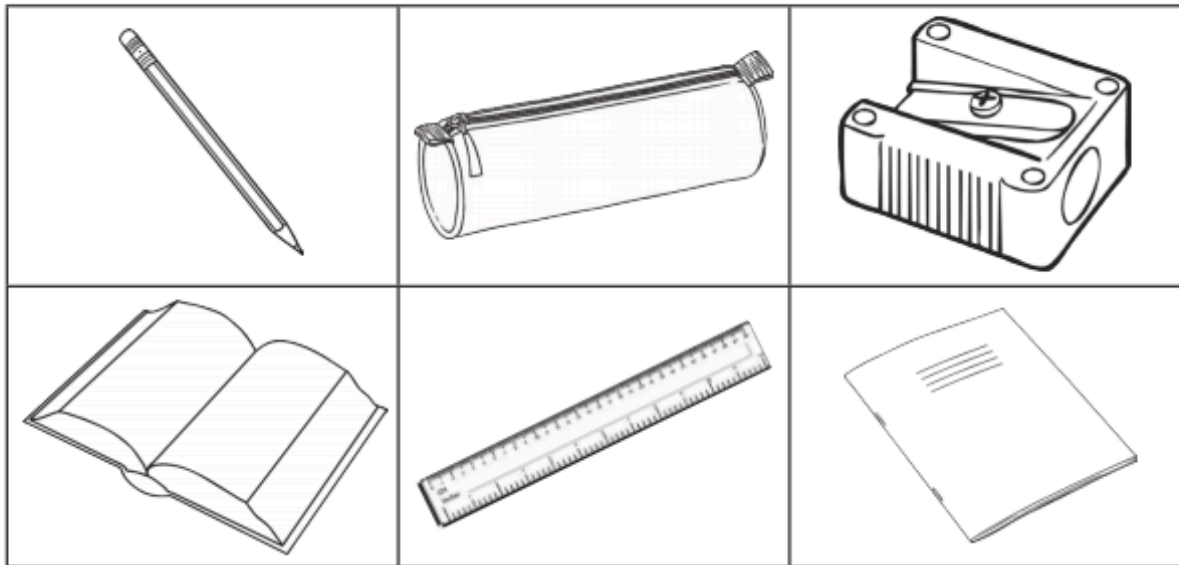
m

cm

mm

Length

1. Colour the things you think are longer than 15cm **red**.
Colour the things you think are shorter than 15cm **yellow**.



2. Now measure these items with your ruler.

Pencil = _____ cm

Sharpener = _____ cm

Copy book = _____ cm

Ruler = _____ cm

Maths book = _____ cm

Pencil case = _____ cm

3. There are _____ centimetres in a metre.
4. There are _____ centimetres in half a metre.
5. There are _____ centimetres in a quarter of a metre.